

GO-ES SEAT

SLIM • LIGHTWEIGHT • USER FRIENDLY



- Lightweight
- External 3PT belts
- Easily installed options
- Decreased maintenance and installation costs
- Lock-N-GO cushions that snap in and out

Not Just Seats



Seating Solutions™

FREEDMAN
SEATING COMPANY

GO-ES SEAT

The Freedman GO-ES Seat is designed for flexibility to accommodate your passengers' growing needs. Options are modular and can be installed at any time.



Features

- External 3PT belts
- Lightweight
- Modular options installed in-vehicle
- Decreased maintenance and installation costs
- Lock-N-GO cushions that snap in and out

All seats available in single and double variations.



Options

- Offered in rigid, foldaway and flip seat variations
- 16", 17½", and 19" widths
- Your choice of vinyl or cloth
- External 3PT belts
- USR belts
- Molded grab handle
- Sanitized™ antimicrobial grab handle
- US arms
- CRS 225 hooks and tether
- Mesh map pocket
- 12V, 110V and USB outlets

Not Just Seats



Seating Solutions™

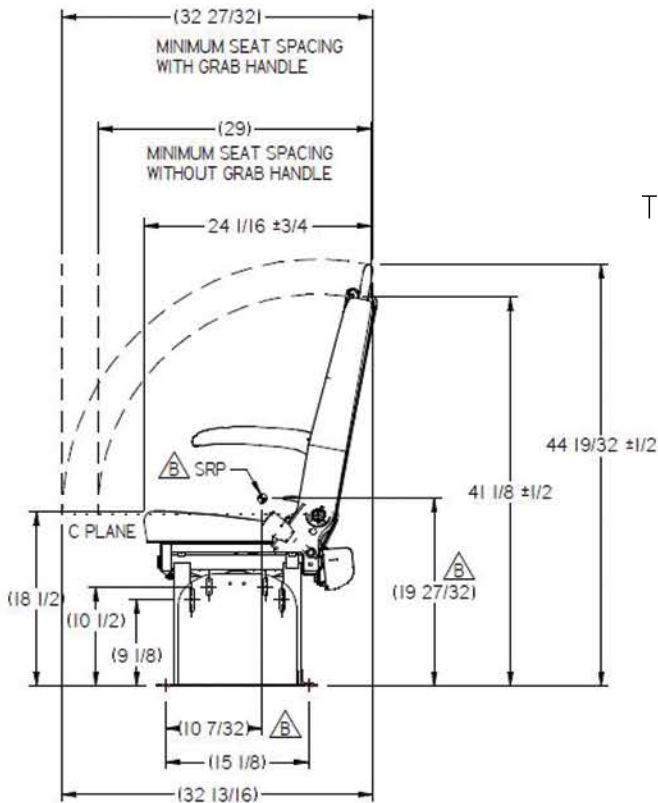
FREEDMAN
SEATING COMPANY

4545 W. Augusta Blvd., Chicago, IL 60651
(773)524-2440 (800)443-4540 Fax (773)252-7450
WWW.FREEDMANSEATING.COM
e-mail: sales@freedmanseating.com
ISO 9001:2008 registered

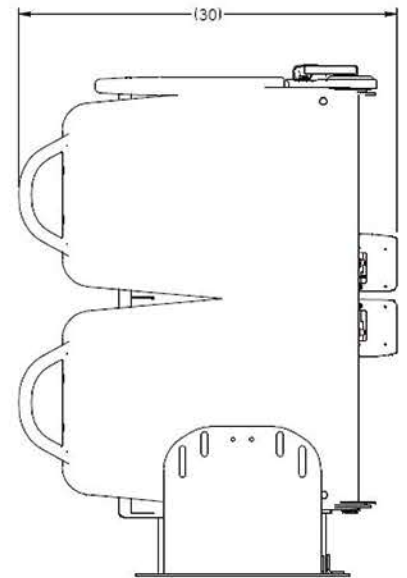
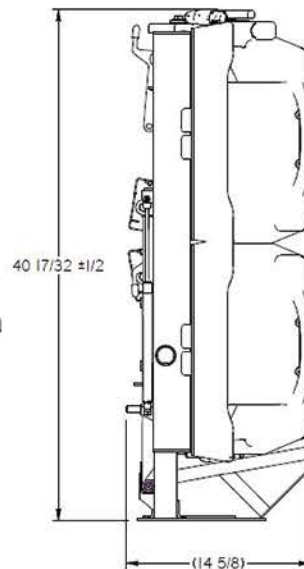
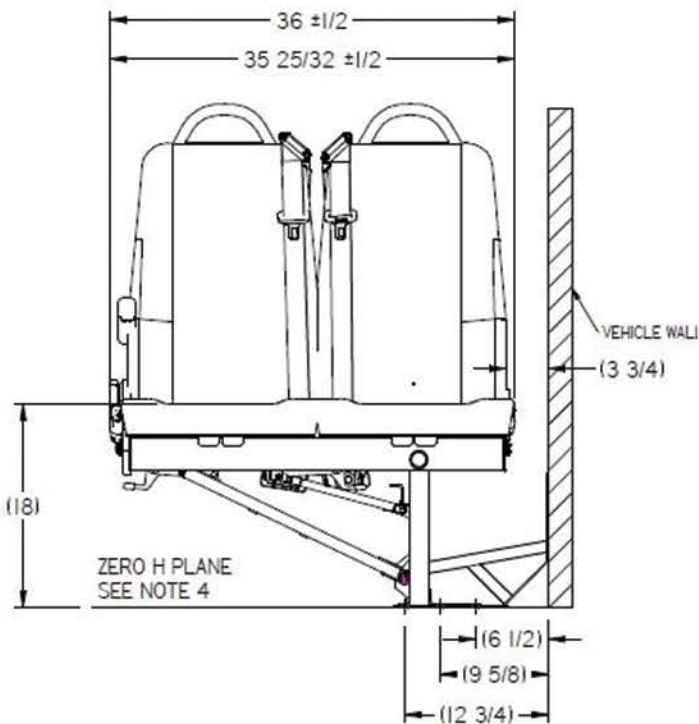
We are constantly updating and improving our seats; therefore we reserve the right to change or modify specifications or materials without notice. All Freedman Seating Company seats meet or exceed FMVS standards.

GO-ES SEAT

The Freedman GO-ES Foldaway Seat is designed for flexibility to accommodate your passengers' growing needs. Options are modular and can be installed at any time.



- Offered in rigid, foldaway and flip seat variations
- 17 1/2" cushion width
- Your choice of vinyl or cloth
- External 3PT belts
- USR belts
- Molded grab handle
- Sanitized™ antimicrobial grab handle
- US arms
- CRS 225 hooks and tether
- Mesh map pocket
- 12V, 110V and USB outlets



Not Just Seats



Seating Solutions™



We are constantly updating and improving our seats; therefore we reserve the right to change or modify specifications or materials without notice. All Freedman Seating Company seats meet or exceed FMVS standards.

FREEDMAN
SEATING COMPANY

4545 W. Augusta Blvd., Chicago, IL 60651
(773) 524-2440 (800) 443-4540 Fax (773) 252-7450
WWW.FREEDMANSEATING.COM
e-mail: sales@freedmanseating.com
ISO 9001:2008 registered